

Aurora AOC-SS-566 Outdoor Cabinet

- ▶ Heavy Duty
- ▶ Cost effective
- ▶ IP65 Stainless Steel material
- ▶ Highest Quantity component



PRODUCT DESCRIPTIONS

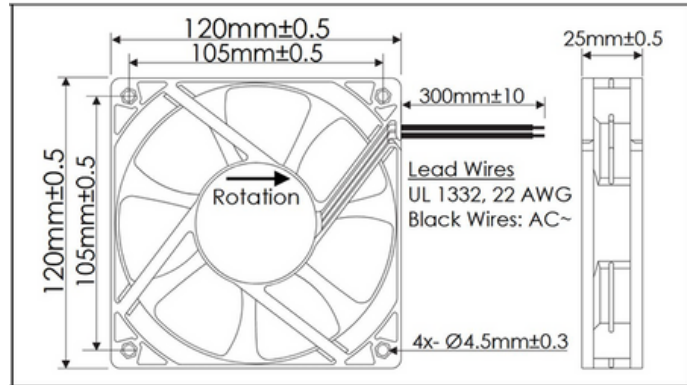
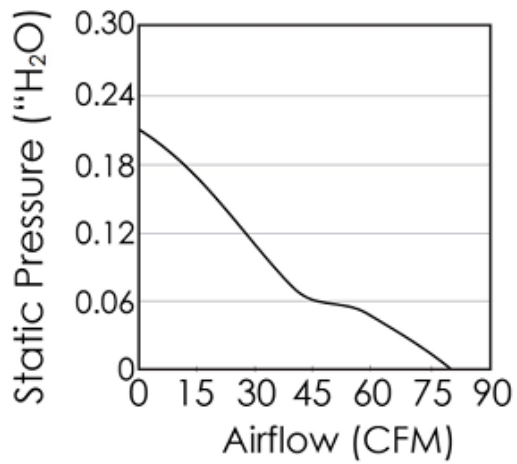
Cabinet

- Material: Three-point Stainless Steel made
- Coating: All parts are powder coated epoxy resin RAL 7035
- Dimension: 12 RU 19" EIA Rails
530mmx610mmx610mm
- Ventilation: 2x 12 * 12 cm AC Fans
- Air Filtrations: 2x HEPA filters protecting Air inlet and Exhaust
- Cable Management: Multi Cable entry Glad at bottom
- Security: Locking system for doors
- Power Distribution: PDU and 10Amp Breaker

INCLUDED ACCESSORIES

Fan

- Rated Voltage (Volts AC): 115 / 230, 50 / 60 Hz
- Voltage Range (Volts AC): 85 ~ 265
- Input Power (Watts): 8 ~ 6
- Max Rated Speed (RPM): 3000
- Max Airflow (CFM): 80
- Noise Level (dBA): 49
- Max Static Pressure (" H2 O): 0.21
- Connection: 2x Black Wire Leads, UL 1332 22 AWG
- Motor: Electronically Commutated, Electronically Protected
- Operating Temperature: -20°C ~ +65°C
- Storage Temperature: -20°C ~ +75°C
- Life Expectancy: 70,000 Hours (L10 at 40°C)
- Available Options: IP Ratings, Speed Control Inputs, Alarm and Tach Outputs
- Weight: 0.39 lbs
- Bearing System: Ball Bearings
- Dielectric Strength: 1500VAC/min, <1mA
- Insulation Resistance: ≥10MΩ @ 500 VDC



PDU

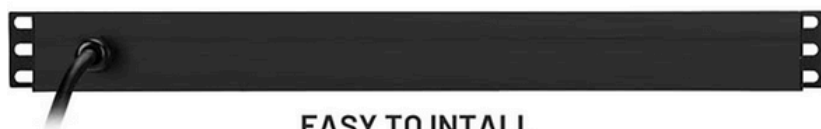
- Power Plug: Universal
- Surge Protection Rating: 160 Joules
- Amperage: 15 Amps
- Number of Ports: 6
- Compatible Devices: server
- Plug Type: Type B
- Special Features: Surge Protection, Mountable
- Total Usb Ports: 6
- Maximum Current: 15 Amps
- Number of Outlets: 8
- Voltage: 125 Volts



8 OUTLET RACK-MOUNT PDU



ALUMINUM ALLOY SHELL PROTECTION



EASY TO INTALL
THE CORD CONNECTOR IS ON THE BACK

MECHANICAL DRAWING

